



SLX SkyLight

F E A T U R E S

- Leading Edge Xenon Technology
- Precision Nickel Electroformed Reflector specifically coated for continuous high output performance
- Color Temperature constant at 5600° (Kelvin)
- Focusable Beam
- Available in both 2000 and 4000 Watt configurations
- Lamphead features Rainproof, Molded Fiberglass Casing
- Tempered Glass Lamphead Window
- Powder Coated Steel Frame
- Fully Assembled in a Weather Resistant Housing ("A" Series, as shown)
- Two-Part Construction for Easy Installation ("B" and "C" Series)
"B" Series: Plug-In
"C" Series: Hard Wired



Creative Application of Xenon Light Technology

SkyLights are single-beam, fixed searchlights used to project attention-getting beams of light. Lamp positioning can be fixed by means of a dual tilt plate assembly. The system is raintight when operated from a vertical position through a declination angle of 45° in any angle.

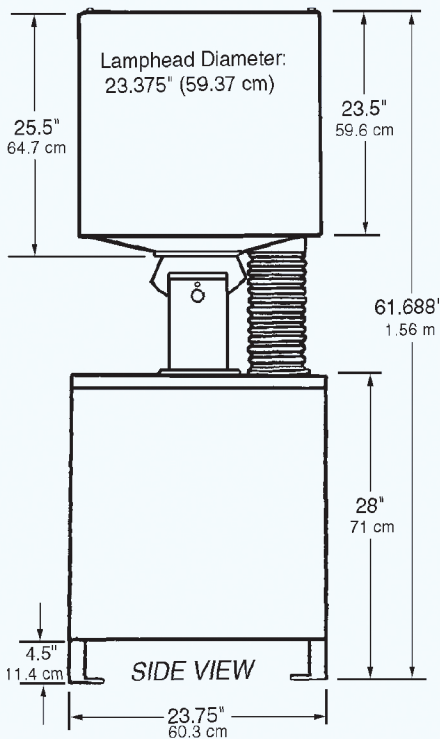
TECHNICAL SPECIFICATIONS

Voltage Input (Three Phase)
Current Input
Peak Beam Candlepower
Beam Spread (Focusable)
Mounting Bolt Pattern (Lamphead)
Color
Weight

2000 WATT
208/240 VAC
12 A.
208 Million
.5 - 2 Degrees
5.75" x 6.5"
White
330 lb. (150kg)

4000 WATT
208/240 VAC
24 A.
332 Million
.5 - 2 Degrees
5.75" x 6.5"
White
345 lb. (156.5kg)

* other voltages upon request



“A” Series: Lamphead and Power Supply make up one complete unit (illustrated at left)

“B” Series: Functionally the same as the SLX-A with the power supply case separate from the lamphead (see below). Equipped with quick-disconnect plugs and receptacles.

“C” Series: Same as “B” Series except requires hard wiring in place of disconnects.

